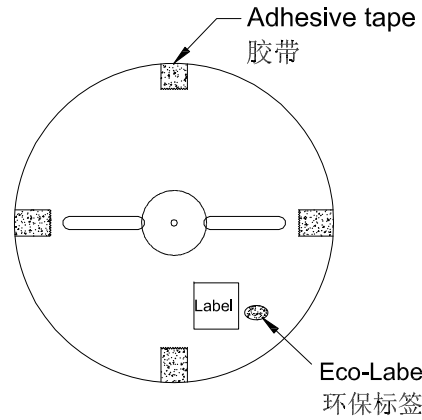


RoHS

包装图



Note注解:

1.Quantity 数量:

15K PCS/REEL 一卷20K/PCS

15 REEL/BOX 一箱11卷

225K PCS/BOX 一箱220K/PCS

2.Each reel and outer box must be labeled and Eco-Label Respectively labeled

每盘和外箱都必须有标签及环保标签分别标示

3.Terminal winding direction as shown

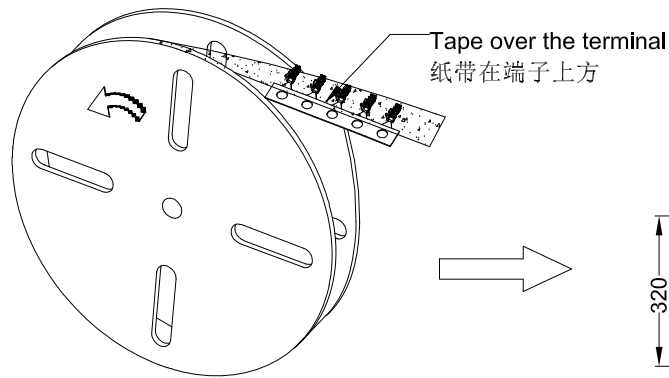
端子缠绕方向如左图所示

4.There shall be no dirt such as deformation phenomenon, Mantissa box fillers must be used

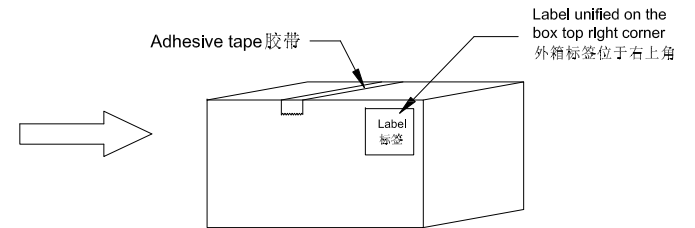
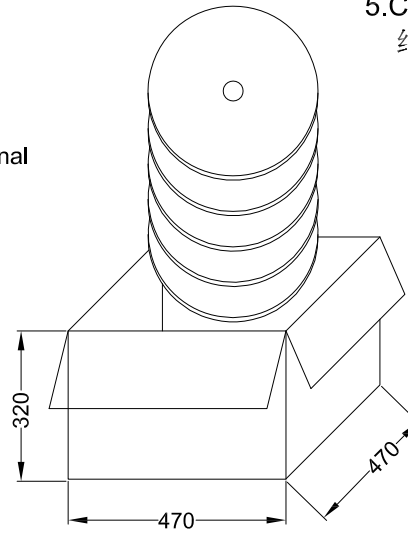
每箱不可有脏污, 变形现象, 尾数箱必须用填充物

5.Carton material: K=K, Carton thickness: 6±1mm

纸箱材质:K=K, 纸箱厚度:6±1mm

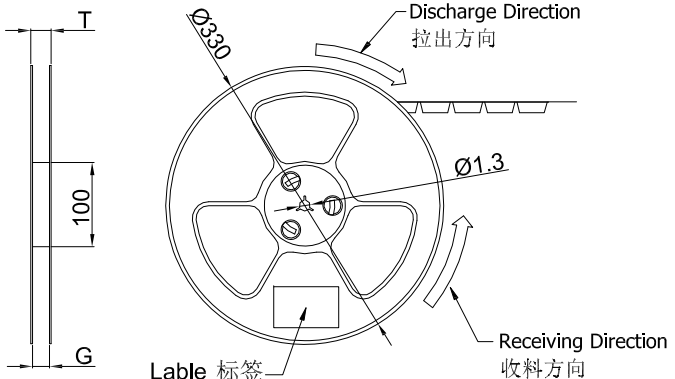
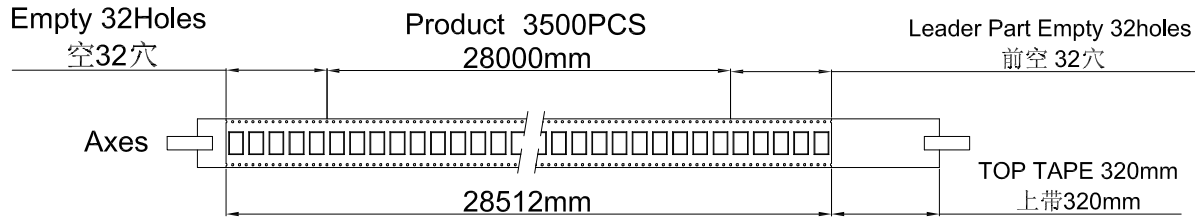


卷装方式
Package way



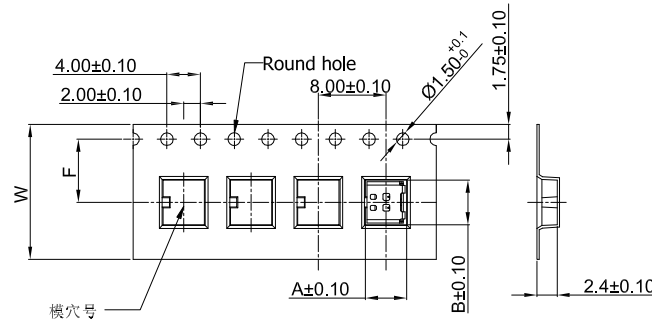
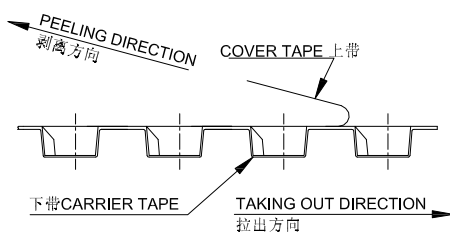
				GENERAL TOLERANCE		东莞市国亚电子有限公司 Connectors Dong Guan Guo Ya Connectors co., Ltd.				PART NO.: 1302T-HXXS-01F			
				.X ±0.35		APPROVAL				TITLE: 1.30 mm Terminal Packing			
				.XX ±0.25		CHECK				UNIT SCALE SHEET REV NUMBER			
				.XXX ±0.15		DRAWN				mm 1:1 1/1 A0 A-295			
				X° ±0.2°		DATE				2016/08/26			
DATE	REV	ECN NO.	DESCRIPTION	MODIFY	APPROVAL	Yangzhengguo	Yangzhengyi	Lvtiansheng					

RoHS 包装图

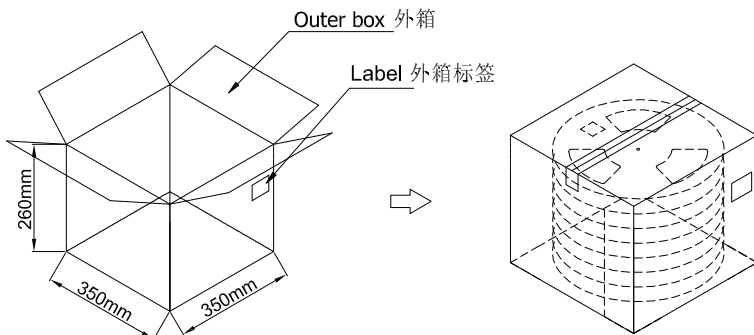
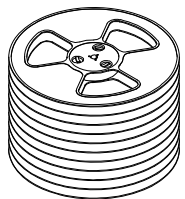


Lable 标签
 Single hole: None Hole Side
 单孔: 贴无链孔侧
 Double hole: Elliptical Hole Side
 双孔: 贴椭圆孔侧

COVER TAPE PEEL STRENGTH:20~120g
 上带剥离力量:20~120g
 速度 PEEL SPEED:300mm/minute



WIDTH=16~24mm



Note:

- Carrier Camber Is Within 1mm In 100mm ; 带长100mm 内容许弯曲度1mm
- 10 Sprocket Hole Pitch Cumulative Tolerance±0.2MM ; 圆孔十个孔距离累计允许公差为±0.2mm
- Materiaal for PS ; 材质为PS 无卤 透明
- Thinkess=0.30±0.05 ; 材料厚度为0.30±0.05mm
- Carton material 纸箱材质:K=K; Carton Thickness 纸箱厚度: 6±1mm

Part No.	A	B	W	S	F	T (MAX)	G(MAX)	REEL /PCS	CARTON /R	CARTON /PCS
ZD1302WRS-XXHF										
1302WRS-XX-XXXX										
ZD1302WRS-1x02HF	4.90	5.30	16	/	7.50	20.50	16.40	3500	11R	38.5K
ZD1302WRS-1x06HF		10.60	24	/	11.50	28.50	24.40	3500	8R	28K

GENERAL TOLERANCE

.X	±0.35
.XX	±0.25
.XXX	±0.15
X.°	±0.2°



东莞市国亚电子有限公司
 Dong Guan Guo Ya Connectors co., Ltd.

PART NO: PPN: 1302WRS-1xXX-XXXX
 CTN: ZD1302WRS-1xXXHF

TITLE: 1.30mm Connectors SMT 90° Packing

APPROVAL CHECK DRAWN DATE

Yangzhengguo Yangzhengyi Lvtiansheng 2016/08/26

UNIT	SCALE	SHEET	REV	NUMBER
mm	1:1	1/1	A0	A-000

DATE	REV	ECN NO.	DESCRIPTION	MODIFY	APPROVAL
1					